

Sanitary rooms for schools and universities



Toilet partition walls and privacy screens	4-18
Locker systems	19-22
Benches and cloakroom hook rails	23-27
Accessories	28
Variations of accessories	29-30



BEFORE WE
EXPECT TRUST FROM
OUR CUSTOMERS,
WE PROVIDE EVIDENCE
that's us!

ENVIRONMENT & SUSTAINABILITY

that's us!

Sustainable management and careful use of resources are a matter of course for us and part of our corporate philosophy. This basic idea is consistently integrated and lived in our work processes.

We are proud to be the first certified manufacturer of partition systems and lockers in Germany to operate according to the FSC™ and PEFC guidelines.

PEFC - registered

We pay attention to a sustainable supply chain in which our products are procured under ecological, economic and socially just aspects.

FSC™ - certified

As the first certified manufacturer in the area of partition systems and lockers in Germany, we make an active contribution to the protection of our earth with this future-oriented procurement method. We supply almost our entire range from sustainable wood in accordance with the specifications of the FSC™.



On request
the products are
available with
FSC™ certification

MADE IN GERMANY

that's us!

Our products are manufactured for you at the company site in Horhausen, Rhineland-Palatinate. This is the only way we can guarantee the high quality standards we set for our products.



PREQUALIFIED

that's us!

We are registered in the list of prequalified construction companies with the number 010.049740, proving that we are qualified for the products and services we offer.



INNOVATIVE & DESIGN-ORIENTED

that's us!

With our design-oriented and innovative products, we convince not only our customers, but also national and international committees.



Toilet partition walls and privacy screens



Stylish and elegant partitioning.



Certified safety. Exclusive design. Schäfer glass cubicles.

Exclusivity, quality and safety – no other cubicle offers these durable attributes. Glass creates a special, high-quality environment and is also ideally suited for the creation of robust, durable and vandal-proof designs. "Graffiti artists", for example, barely stand a chance. A permanently good impression is maintained. Costs for complex repairs and special cleaning are no longer necessary.

Successful school renovations in the past show the sustainable success that can be achieved with glass cubicles in schools. Vandalism is almost completely avoided. An investment that pays off.



(1)



(2)



(3)



(4)

(1)

Toilet partitions made of glass, type VITRUM III

- Fronts and partitions made of high-quality safety glass
- Glass offers advantages for cleaning and maintenance
- Scribbles made with pens or spray can easily be removed
- The lifetime and the high-quality appearance of the sanitary facility last significantly longer
- Fittings made of high-quality stainless steel
- Doors have optional soft-close function for significantly reduced noise

(2)

Toilet partitions and privacy screens made of glass

- Hygienic solution
- Exclusive choice of materials
- Perfectly coordinated room concept with toilet partitions and privacy screens made of glass
- Flush-fitting fronts
- Minimalist fitting systems
- Great design freedom

(3)

Toilet partitions, type VITRUM II

- Cubicle system made of safety glass (ESG-H)
- Exclusive, durable and easy to clean
- Fittings made of high-quality anodised aluminium
- Optionally, doors can be fitted with a soft-close function for significantly reduced noise

(4)

Toilet partition, type VITRUM II as corner variant

- Made of safety glass (ESG-H)
- Wall-mounted glass urinal screens
- Particularly easy to clean



BLACKLINE

BLACKLINE. Uncompromisingly black.

A very special design variant: the BLACKLINE. All BLACKLINE profiles and fittings are finished in elegant black to match the black tile surfaces. This combination creates a special look that gives the sanitary room an exclusive and high-quality ambience.



WC partitions from the BLACKLINE series

(1)

EF-3 ALTUS BLACKLINE

- WC partitions completely in the color black
- Equipment such as bumpers, hooks, handle sets matching in black
- 36 mm thick sandwich elements with HPL surface
- Maximum privacy thanks to the ceiling-high construction
- Flush front of the EF-3 ALTUS BLACKLINE WC partitions
- Ideal for wet areas, as the construction is completely waterproof

(2)

SVFG40 ALTUS BLACKLINE

- WC partitions completely in the color black
- Maximum privacy thanks to the floor-to-ceiling construction
- This creates a separate private area for users
- Composite elements made of chipboard, 40 mm thick with 0.9 mm HPL surface
- WC partition with flush front
- Edges made of high-quality lacquered real wood inserts, also in the trend color black
- The right choice for dry rooms

(3)

SVF30/S ALTUS BLACKLINE

- WC partitions completely in the color black
- ABS edging in black, like the panel surface
- Room-high construction for maximum privacy
- 30 mm thick composite elements made of chipboard with 0.9 mm thick HPL surface
- Absolutely flush front on the outside of the cubicle of the sanitary partition
- Particularly easy to clean, durable and robust





The planning specification for the new buildings was to create memorable, out-of-the-ordinary spaces for adolescents which are pleasant to use and thereby significantly reduce vandalism.

Marcus Schmitt, planning architect
Marcus Schmitt Architekten
BDA & NEUMANNarchitektur

The everyday school experience. Toilet partitions with motif print.

Gloomy and colourless has been yesterday. Today's students want to feel comfortable in all areas of their learning environment. This also includes the sanitary facilities.

The choice of colours and the design of sanitary rooms play an important role. Colours shape the school and university life and influence students' well-being. A pleasant atmosphere should therefore also be created at the sanitary rooms. Combinations of colours and motifs create uniquely themed environments that are brought to life depending on the way they are implemented.

Long-term analysis of school projects, where rooms have been made in an appealing design, show a significant decline in vandalism. Thus, a higher initial investment will pay off in a very short time.



(1)



(2)



(3)



(4)



With the welcoming design of the sanitary rooms, we would like to sensitize the pupils to show more appreciation for the facilities.

Achim Gaiser
Office for Construction and Real Estate,
Frankfurt am Main

(1)

EF-3 toilet partition with motif print

- Suitable for wet and dry rooms
- Excellent design, very stable, completely water resistant
- Flush-fitting fronts make maintenance easier
- Made from 36 mm thick sandwich panels with a 3 mm thick HPL layer on both sides
- Integrated stable aluminium frame
- The door rebate is formed by the inner frame
- A silent operation is made by integrated rubber buffer lips, a big advantage in normal school life
- Integrated finger protection for even greater safety

(2) + (3) + (4)

Wall cladding with motif print

- Uniform design concept creates spaces for well-being
- Back walls and toilet partitions in the same design, implemented for all areas of the sanitary room
- Very easy to clean
- Individual choice of motif
- Almost countless colour combinations
- The appearance of toilet partitions with motif print reduce damages caused by vandalism

Toilet partition walls and privacy screens



The EF-3 WC partitions are truly unique due to large-scale motif prints. Anything is possible - like the example of these pupils' work and pictures from the school chronicle. A positive effect: the pupils identify with the motifs, which helps to prevent damage and vandalism.

Toilet partition walls and privacy screens



The expressive color and motif concept of these sanitary rooms has evolved from the design scheme of the various school buildings. The exterior facade and sanitary room are each presented in the same color scheme. The selection of inspiring motifs on the EF-3 toilet partitions follows the same color nuances and rounds off the room concept perfectly.



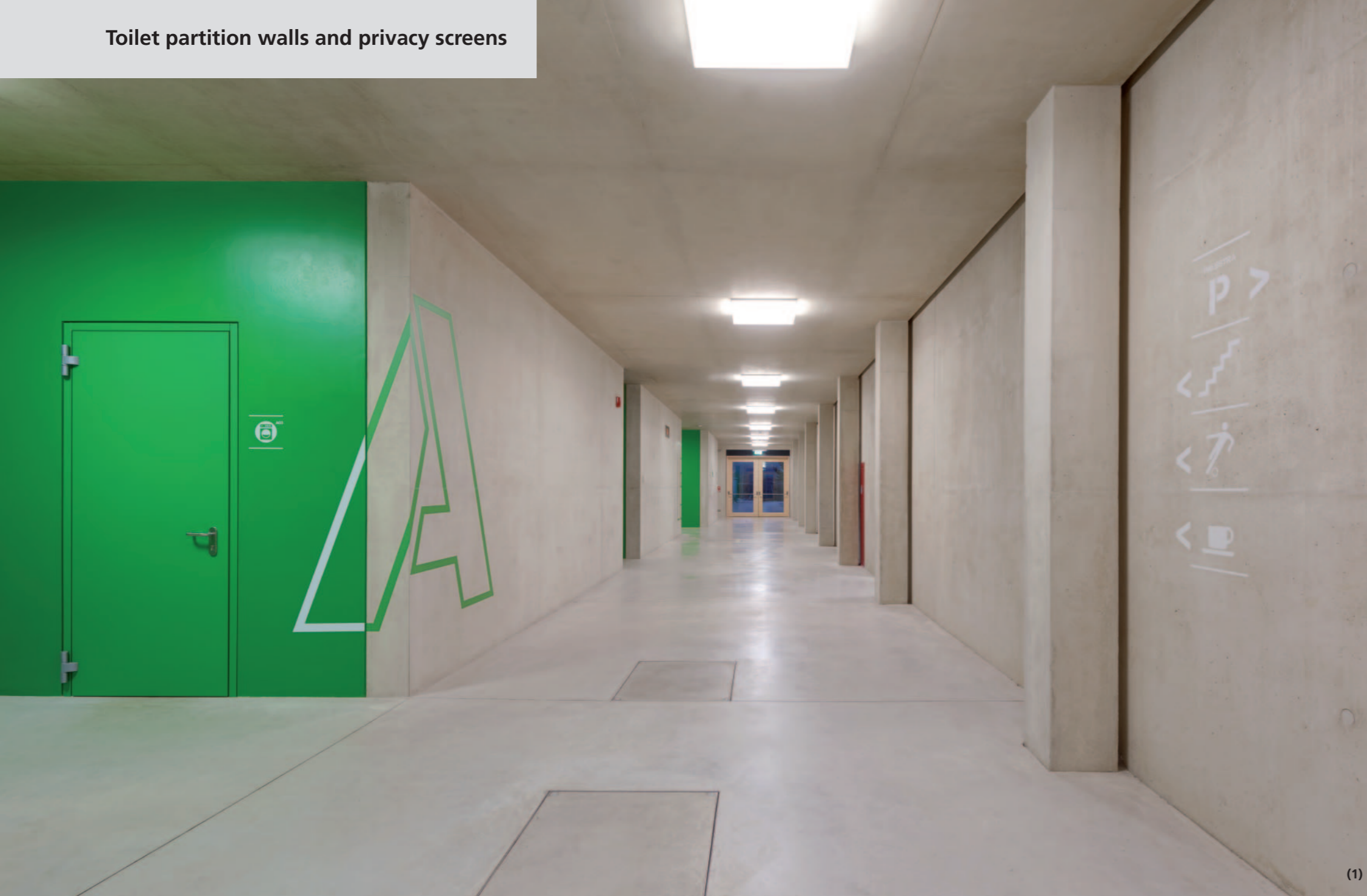


Toilet partitions type EF-3.

Feel-good atmosphere in pastel

- EF-3: The ideal everyday companion for schools and universities
- Waterproof construction
- Made of 36 mm thick sandwich elements with HPL surface
- Very easy to clean
- Extremely robust and durable
- Large variety of decors and colors

Color creates comfort, atmosphere and gives rooms character. The extensive color palette of the EF-3 series allows a great deal of design freedom for creativity and individuality in the sanitary room.



(1)

(1)
Uniform design concept creates orientation and harmony

- Design concept connects sanitary rooms and school buildings architecturally
- Considerable use of coloured design for orientation, e.g. on different levels and in groups of buildings

(2)
EF-3 JUMP toilet partition with floating look

- Recessed feet and recessed headrail create the impression of floating cubicles
- Makes maintenance and cleaning easier
- Construction integrates a disabled toilet. The additional support under the side wall offers stability

(3)
The INSAFE toilet lock

- Large red and white window on the inside of the cubicle offers the user a secure feeling of having locked
- Large window at the outside makes it easier to find a free cubicle
- Handle is easy, child-friendly to use
- Made of robust and easy-care aluminium

(4)
Individual production for every room layout

- Wider doors for people with disabilities
- Indicators ensure easy orientation



(2)



(3)



(4)



(1)



(2)



(3)



(4)

(5)

(1)

SVF30 JUMP sanitary partition with floating look

- Recessed supports and headrail create the impression of floating cubicles
- Particularly easy to clean
- Made of 30 mm chipboard panels
- Excellent for dry room design
- The wall connections are made by shadow gaps
- Smooth and easy-care fronts

(2)

Privacy screens

- Made of 13 mm HPL material
- Intense colours create a successful contrast
- Wall-hanging construction using sturdy wall brackets made of anodised aluminium
- Particularly easy to clean and hygienic
- Motif walls are another visual highlight and a central design element
- The choice of a motif is left entirely to the customer

(3)

Vanity units

- Made of 13 mm waterproof HPL material
- A uniform colour and material concept create harmony

(4) + (5)

Stable construction

- Stable aluminium bracket
- Stable headrail, recessed by 150 mm
- The fittings are not visible from the front and create the impression of floating cubicles
- Stainless steel or aluminium feet recessed under the centre partition
- Additional stabilising with aluminium bracket prevents breaking
- Connection between partition and front is done underneath the elements using a T-connector



(1)



(2)



(3)

Standard WC partitions

(1) + (2)

Cubicle system type SVF30

- Made of melamine-faced chipboard
- With coloured ABS edging
- The alternative if design is required in addition to pure functionality
- Flush-fitting system with smooth fronts, even with doors opening outwards
- This is made possible by a special rebate profile
- Allows fast cleaning
- Effective edge protection
- High-quality and attractive appearance

(3)

Cubicle system type SV30

- Made of melamine-faced chipboard
- The right choice if a stable and easy-care basic system type is required
- The ideal toilet partition system for sanitary areas that are kept dry
- Through the use of colours a new room concept is created again and again

Toilet partition walls and privacy screens



(1)



(2)



(3)



(4)



Previously



Later

(1)

VK13 toilet partition in standard construction

- Ideal for use in schools and universities
- Meets the enormous demands of everyday school life
- High stability
- Completely water resistant
- Easy to clean
- Attractive design

(2)

Everything perfectly under control with INSAFE

- Large red and white window on the inside of the cubicle offers the user a secure feeling of having locked
- Large window at the outside makes it easier to find a free cubicle
- Handle is easy, child-friendly to use
- Made of robust and easy-care aluminium

(3) + (4)

All-rounder VK13

- Great freedom of design in material and colour
- Individual room concepts can be created
- Particularly robust and durable
- Maintains an attractive appearance even after many years of use
- Colour and size of the back panels can be individually designed

In order to meet the needs of people with disabilities, the width of the doors is generous, and they are equipped with an easy-grip handle.

Toilet partition walls and privacy screens



WC partition wall VK13 in basic design

- High stability
- Completely waterproof
- Easy to clean
- Attractive design
- Withstands the high demands of schools and universities
- VK13 allows for a completely individual room and color design in terms of material, color and shape
- Multicolored cubicles can also be realized perfectly
- Made of 13 mm thick HPL solid core panels
- Vertical profiles, which are manufactured continuously down to the head profile and the floor feet, enable an extremely stable construction
- This attachment shows the doors with outward opening

Locker systems





(1)

Schäfer lockers type GVKF13

(1)

Everything well stowed

- School items and clothing are kept safely and hygienically
- GVKF13 is ideal for the hectic and turbulent school and university life
- Complete body made of waterproof HPL
- Extremely robust and durable
- Motifs are selected individually by the customer

(2)

Individual planning

- Dimensions and divisions of the lockers can freely be selected
- Adapt perfectly to any room layout
- Flush-fitting fronts are a visual highlight
- Particularly easy to clean

(3)

Motif design

- Triple lockers on an aluminium frame with plinth covering. Only one of many possible variants
- Motif is pressed into the HPL board during manufacture
- This creates a robust and durable surface

(4)

Cleverly integrated

- Locker system with integrated waste bins. Just one of many ways to thoughtfully design everyday school life



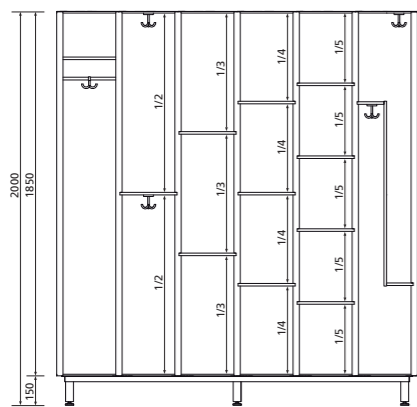
(2)



(3)

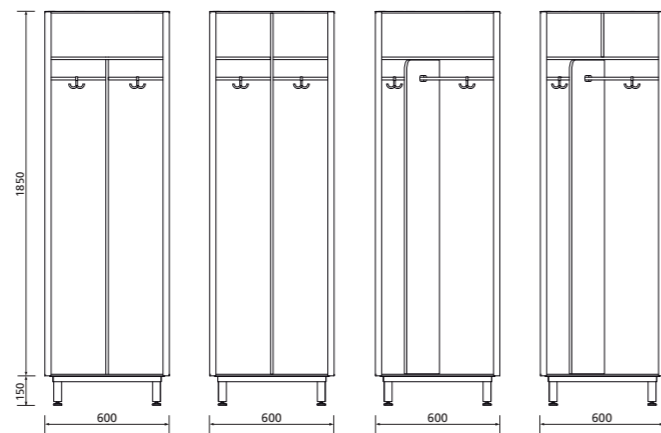


(4)



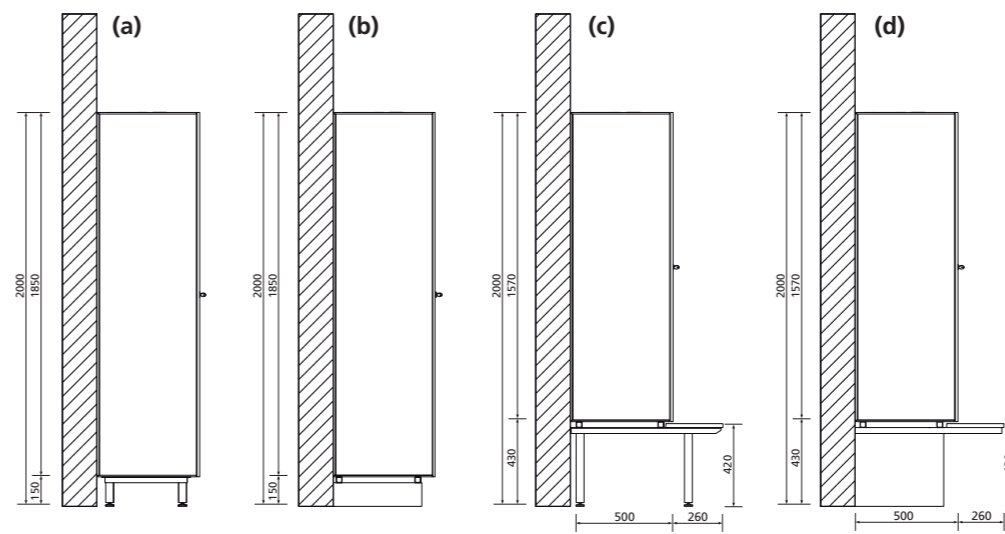
Lockers

- Many different types of locker dividers
- Single or double locker
- Multiple locker
- Z lockers
- Helmet and safe deposit boxes
- Sizes and arrangements are individually adapted to the premises



Staff cabinets as black and white lockers

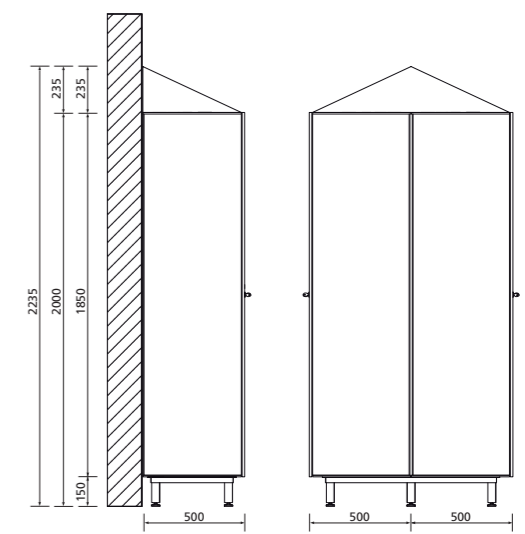
- Available in different versions
- Centre partition in the locker separates street and work clothes, for example
- Centre partition also possible as a movable version



Installation options

The installation options also depend entirely on the structural situations:

- (a)** Installation on an aluminum subframe
- (b)** Installation on a concrete base tiled on site
- (c)** Installation on an aluminium subframe with an integrated pre-built bench
- (d)** Installation on a concrete base tiled on site with an integrated pre-built bench



Different types of locker tops

Sloping tops prevent bags or other objects from being placed on top of the lockers. An important criterion, especially in a hygiene area.

Equipment and Accessories

(1)
Very stable door stop made of stainless steel for type GVKF13 lockers

- Installed in single, double and Z lockers
- Limited 95° opening angle to
- Damping reduces noise
- Doors are equipped with concealed, maintenance-free stainless steel hinges



(2)
Opening limiter for lockers of type SGVK13/AGVK13

- Noise dampened
- Guide passes through the body



(3)
Interior fittings for a simple locker type GVKF13

- Hat shelf
- Clothes rail
- Sliding double hooks
- Other interior fittings on customer request

(4)
Interior fittings of a simple locker type SGVK13/AGVK13

- Hat shelf
- Clothes rail
- Two sliding hooks
- Optional perforation of the locker according to customer requirements



(5)
Shelf, wardrobe lockers type GVKF13

- Completely closed
- Practical solid core material
- Rounded body corners
- Sturdy and easy to clean

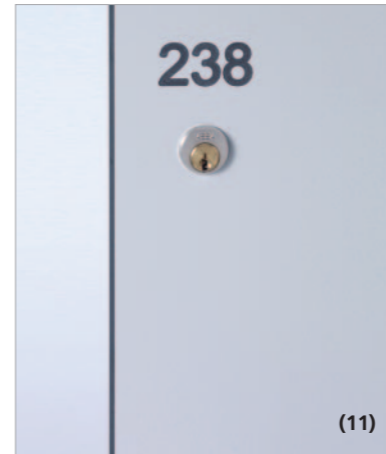
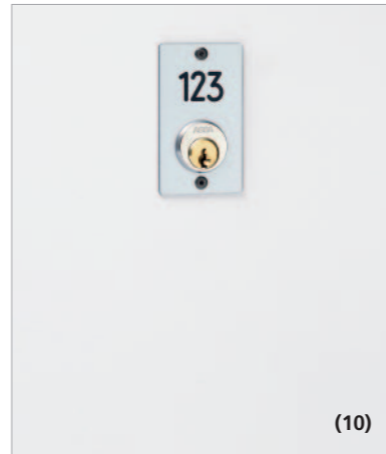
(6)
Optional locker bottom made of aluminium tubes

(7)
Perforation or slitting of the locker bottom as an option

(8)
Locking solutions

- E.g. coin locks
- Additional protection against door theft
- Anti-theft bolts for single, double and Z lockers

(9)
Cylinder lever locks
 as the main locking system for staff lockers



(10)
Standard numbering for all locker types

- Silver-coloured plastic number plates with black engraving
- Optionally available in aluminium or stainless steel

(11)
 • Engraving completely milled

(12) + (13) + (14)

Key bracelets

- Made of different materials
- Key plates and other locker accessories can be designed individually according to customer requirements



(15)
Hangers

- Made of break-proof nylon
- Matched to the standard sizes of the wardrobes

(16)
 • Additional clothing net increases the comfort for visitors

(17)
 • Coat hanger with additional shoe hook

(18)
 • Hanger with shoe hook and net



Benches and cloakroom hook rails





Benches type CANTO

- Freestanding benches with recessed base
- Available as benches and seating cubes
- Waterproof construction
- Suitable for dry and wet areas
- Easy-to-clean and hygienic surfaces
- Robust aluminum base frame
- Cladding made of 13 mm thick HPL panels
- Benches and cubes are made to measure
- Customized color design





(1)



(2)

(1)

Lockers type GVKF13

- Built in bench made of HPL panels
- Completely water resistant
- Ideally suited for wet and dry rooms
- Robust and durable construction
- Particularly easy to clean due to the floor-free construction of the benches

(2)

Bench construction

- Made from sturdy and easy to maintain HPL
- Completely water resistant
- Dimensions and design according to customer requirements
- Hook rails complete the changing area



(1)

Hook rack with shelf made of HPL

- Made from solid HPL panels
- Completely water-resistant, scratch-proof and impact-resistant
- Special stainless steel hooks
- Wide range of colors available
- Flexible dimensions and compartment layout – offering complete design freedom and customization

(2)

Hook rails with glass support plate

- 10 mm safety glass
- Satin, clear or coloured glass available
- Special hooks made of stainless steel
- Flush-fitting wall mounting done by stainless steel rosettes

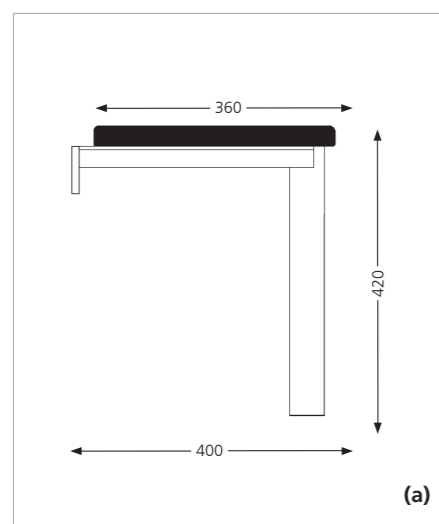
(3)

Hook rail made of aluminium tubes

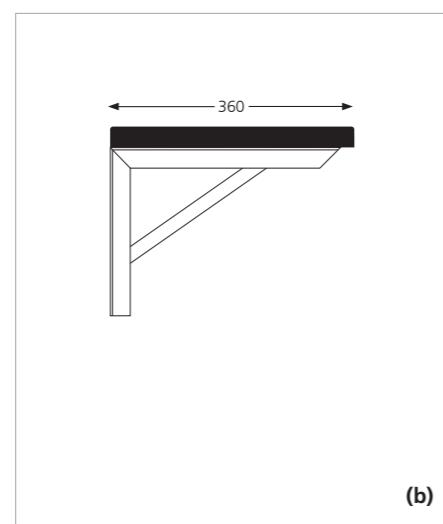
- Triple safety hooks
- Hooks located behind the hook rails provide safety
- No protruding parts
- Risk of accidents is significantly reduced



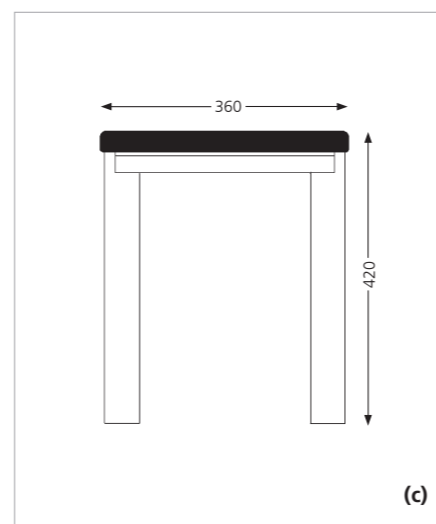
Variants of benches:



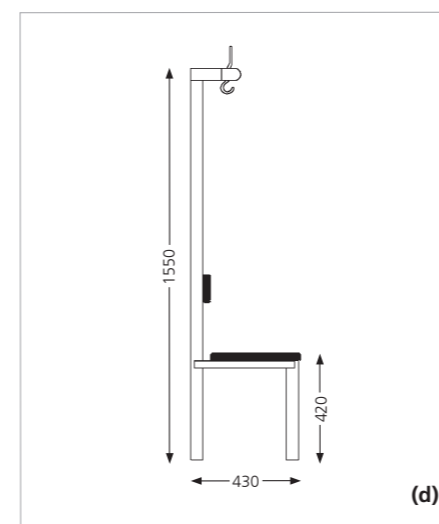
- Bench with front support and wall attachment



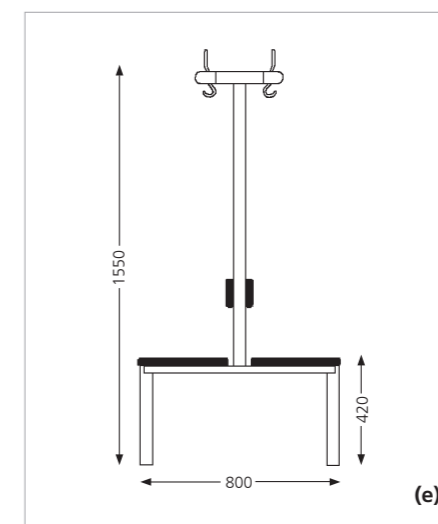
- Foot free bench with wall attachment (masonry must be sufficiently stable for this attachment)



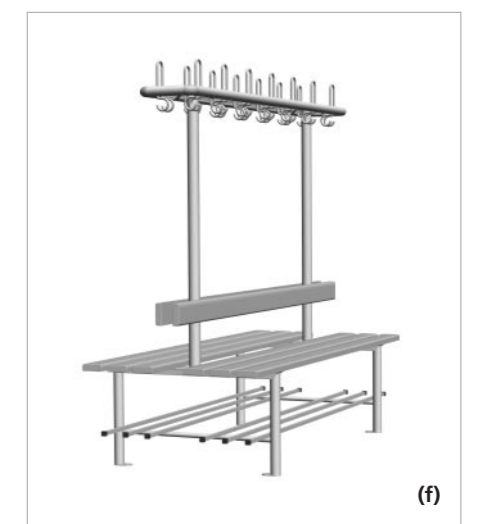
- Bench as a free standing bench construction



- Single-sided bench with hook rail and backrest



- Double-sided bench with hook rail and backrest



- Bench with shoe rack, available for all types
Subject to technical alteration.

Aluminium

- Toilet roll Schäfer AL7001
- Spare roll holder Schäfer AL7002
- Toilet brush unit Schäfer AL7003
- Hook Schäfer AL7011
- Hook Schäfer AL7010
- Hook with buffer Schäfer AL7007
- Buffer Schäfer AL7015



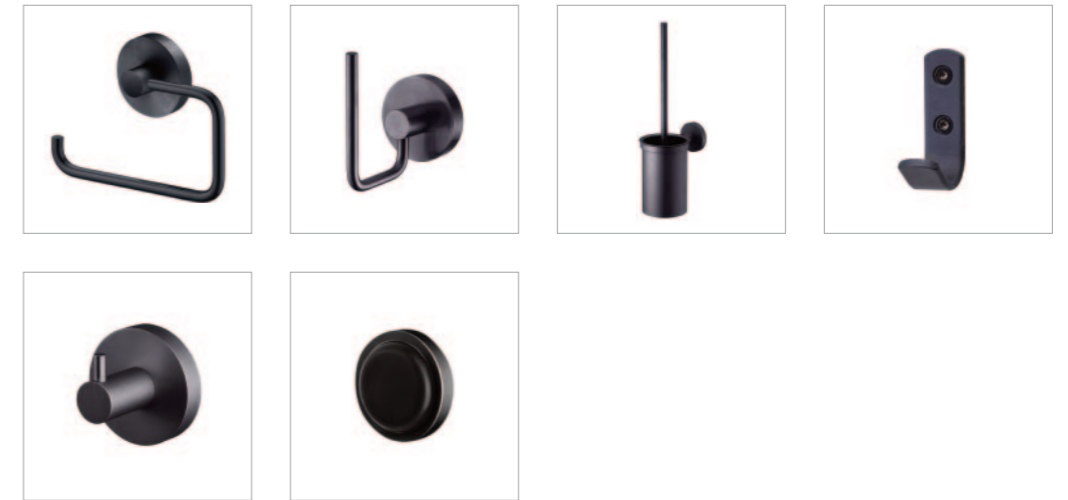
Stainless steel

- Toilet roll Schäfer ES6001
- Spare roll holder Schäfer ES6002
- Toilet brush unit Schäfer ES6003
- Hook Schäfer ES6011
- Hook Schäfer ES6010
- Hook with buffer Schäfer ES6007
- Buffer Schäfer ES6015



Aluminium BLACKLINE

- Toilet roll Schäfer ALB5001
- Spare roll holder Schäfer ALB5002
- Toilet brush unit Schäfer ALB5003
- Hook Schäfer ALB5011
- Hook Schäfer ALB5010
- Buffer Schäfer ALB5015



Nylon

- Toilet roll Schäfer N8001
- Spare roll holder Schäfer N8002
- Toilet brush unit Schäfer N8003
- Hook Schäfer N8010
- Hook with buffer Schäfer N8007
- Buffer Schäfer N8015



RAL 7038
 RAL 9010

We reserve the right to make technical alterations.

Variations of accessories

Hardware Type VITRUM II



Aluminium
one-hand door knob
cubicle outside



Aluminium
one-hand door knob
cubicle inside

Hardware Type VITRUM III



Stainless steel
one-hand door knob
cubicle outside

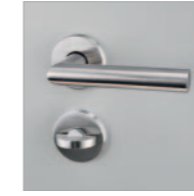


Stainless steel
one-hand door knob
cubicle inside

Hardware Type SV30



Aluminium
door handle
Schäfer AL7050



Stainless steel
door handle
Schäfer ES6050



Nylon
door handle
Schäfer N8051



Aluminium
one hand
door knob
INSAFE



Aluminium
push handle
SLIDESAFE

Hardware Type EF-3



Aluminium
door handle
Schäfer AL7050



Stainless steel
door handle
Schäfer ES6050



Nylon
door handle



Stainless steel
one hand
door knob



Aluminium
one hand
door knob
INSAFE



Aluminium
push handle
SLIDESAFE

Hardware Type VK13



Aluminium
one hand door knob
INSAFE



Stainless steel
one hand door knob



Nylon
one hand door knob

Hardware Type SVFG40 / SVF30



Aluminium
door handle
Schäfer AL7050



Stainless steel
door handle
Schäfer ES6050



Nylon
door handle
Schäfer N8051



Aluminium
one hand
door knob
INSAFE

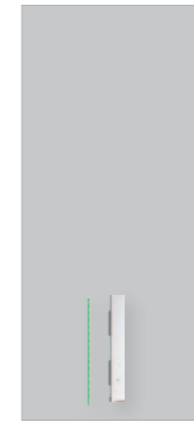


Aluminium
push handle
SLIDESAFE

Aluminium handrail for the product types EF-3 / SVFG40 / SVF30



Aluminium
handrail
55 x 500 mm
Schäfer ALGS1



Aluminium
handrail
with LED strip
55 x 500 mm
Schäfer ALGS1 LED
(only for type EF-3)



Aluminium
handrail
55 x 1.150 mm
Schäfer ALGS2



Aluminium
handrail
with LED strip
55 x 1.150 mm
Schäfer ALGS2 LED
(only for type EF-3)



Aluminium
handrail, adapted
to the door length,
always until the top
edge of the door
Schäfer ALGSV



Aluminium
handrail
with LED strip,
adapted to the door
length, always until
the top edge of the
door
Schäfer ALGSV LED
(only for type EF-3)

[To the handrail configuration online tool >](#)

[To the push handle SLIDESAFE >](#)

[To the one hand door knob INSAFE >](#)

We reserve the right to make technical alterations.

Fittings from the BLACKLINE design series

All profiles and fittings in the BLACKLINE design series are in elegant black to match the black panel surfaces.

These fittings from the BLACKLINE design series are included in the price of the following product types:

- EF-3 ALTUS BLACKLINE
- SVFG40 ALTUS BLACKLINE
- SVF30/S ALTUS BLACKLINE



BLACKLINE aluminum one-hand doorknob INSAFE with clearly visible free-occupied indicator



BLACKLINE stainless steel door handle with free-occupied locking device and emergency opening slot on the outside of the cubicle



BLACKLINE aluminum hinge with self-closing function

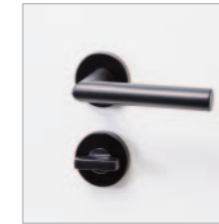
Optional fittings from the BLACKLINE design series

These fittings from the BLACKLINE design series are optionally available for the following product types:

- EF-3 JUMP
- EF-3
- EF-3 H
- SVFG40
- SVF30 JUMP
- SVF30
- SV30



BLACKLINE aluminum one-hand doorknob INSAFE with clearly visible free-occupied indicator



BLACKLINE stainless steel door handle with free-occupied locking device and emergency opening slot on the outside of the cubicle



BLACKLINE aluminum hinge with self-closing function



BLACKLINE

